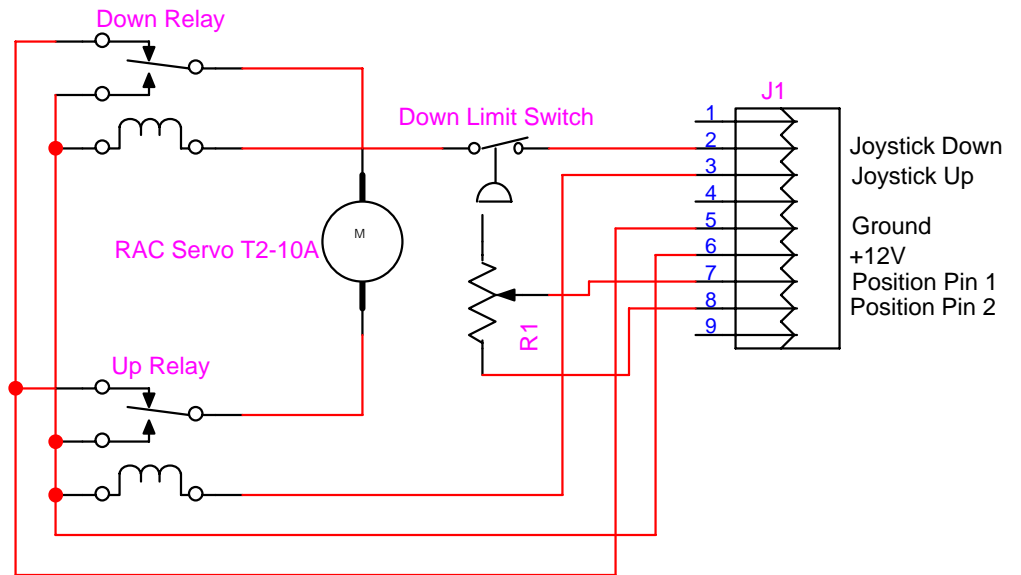


**N55UP Dragonfly Reflexer Wiring**  
**Dave Morris 15 November 2003**



**Notes:**

1. 12VDC pin should be fed from a 0.5A fuse
2. Joystick UP and DOWN switches are momentary to ground
3. The RAC servo has upper and lower limit switches, but the Reflexer design requires an additional Down Limit Switch due to limits on maximum travel in the N55UP construction